

**GENERAL CHARACTERISTICS**

Mechanical Level Switch for liquids with magnetic triggering of an adjustable micro switch or reed switch.

- \* high switch capability
- \* wall mounting
- \* reliable
- \* good repeatability

Male thread G3/4A brass/stainless steel



**TECHNICAL DATA**

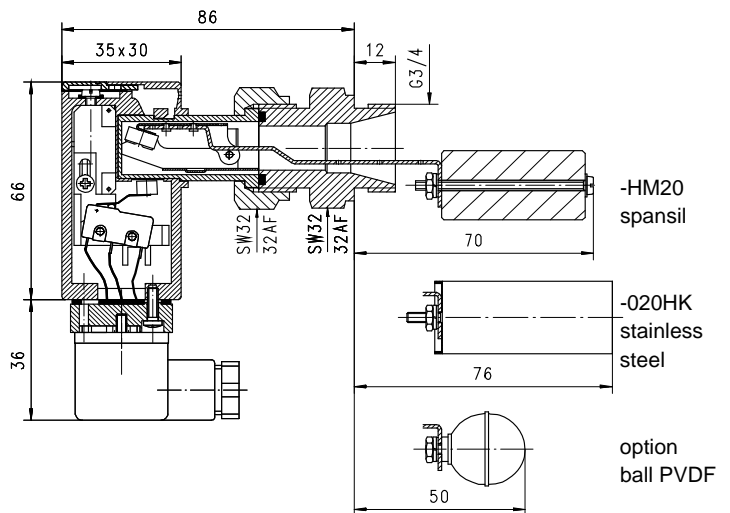
**NW3-020HM**

	G	Type	liquid density g/cm <sup>3</sup>	PN bar	L mm	weight kg
brass	G 3/4 A	MW3 / NW3-020HM	≥0.7	25	72	0.35
stainless steel	G 3/4 A	MW3 / NW3-020HK	≥0.9	10	76	0.35

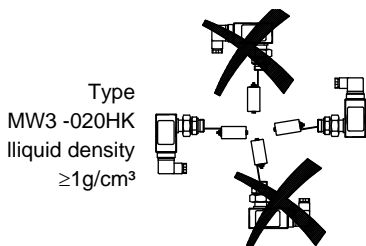
media temperature max. 110°C

**MATERIALS**

	<b>MW3/NW3-020HM</b>	<b>MW3/NW3-020HK</b>
housing	Ms58 nickel plated	stainless steel 1.4305
socket	Ms58 nickel plated	stainless steel 1.4571
wetted parts	stainless steel 1.4310 ; 1.4571	stainless steel 1.4310 ; 1.4571
float	spansil	stainless steel 1.4571
magnet	oxyd 300	oxyd 300
seal	NBR	viton



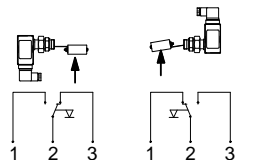
**INSTALLATION POSITION**



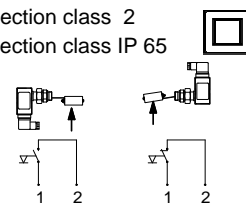
Installation position may influence operation!

**ELECTRICAL DATA**

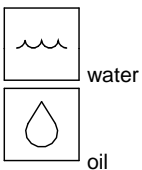
**MW3**  
micro switch  
wiring 0.374 change over  
250 V AC 5 A  
plug DIN 43650-A  
protection class 2  
protection class IP 65



**NW3**  
reed switch  
wiring 0.225 n.c. or n.o. depending on installation position  
230 V AC 1 A 50 VA  
plug DIN 43650-A  
protection class 2  
protection class IP 65



**METERING SUBSTANCES**



design stainless steel  
MW3/NW3-020HK  
for aggressive liquids

**NOMENCLATURE**

MW3-	020	H	M	Beispiel Beschreibung
MW3-				● micro switch
NW3-				● reed switch
		H		● socket thread G3/4A
			M	● brass design
			K	● stainless steel design
Special option VARIO				☐ contact for locking plug M12x1, 4-pole float ball PVDF

All technical changes reserved

●BASIC Standard ○BASIC Programme option ☐VARIO Special option ⊕ PLUS Accessories ✗not recommendable